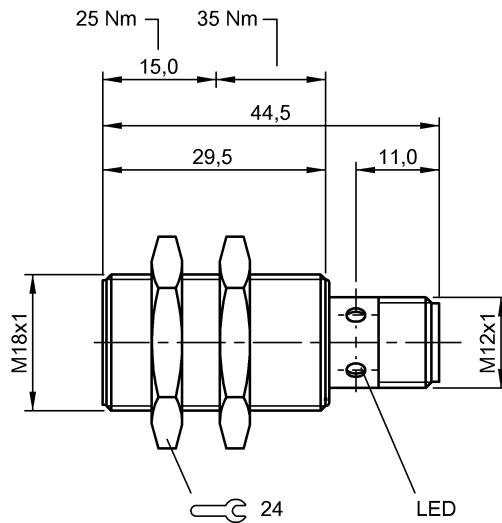


**BES M18ME-PSC80B-S04G-003**  
**Ordering code: BES00EZ**

Inductive sensor  
 Global  
 M18x44,5 mm

DC, direct current  
 PNP/Normally open (NO)  
 Sn= 8 mm  
 Flush (shielded)  
 ■■

**BALLUFF**  
*sensors worldwide*



**Characteristic data**

Assured operating distance Sa	6,4
Eff. switching distance Sr	8 mm
Tolerance Sr	±10 %
Hysteresis H max. (in % of Sr)	15 %
Repeat accur. R max. (% of Sr)	5 %
Ambient temperature	-25...70 °C
Temp. drift max. (% of Sr)	10 %
Switching freq. f max.	150 Hz
Ready delay tv max.	10 ms
Utilisation category	DC 13
Function indicator	Yes
Power indicator	No
Short-circuit protected	Yes
Protected against polarity reversal	Yes
Protected against miswiring	Yes
Enclosure Type per IEC 60529	IP67
Principle of operation	Inductive

**Electrical data**

Operating voltage	10...30 V DC
Ripple max. (% of Ue)	15
Rated operating voltage Ue DC	24 V
Voltage drop static max.	3,5 V
Rated insulation voltage Ui	75 DC
Effective operating current Ie	130 mA
No-load current Io damped max.	25 mA

Max. no-load cur. Io undamped	12 mA
Off-state current Ir max.	80 µA
Minimum operating current Im	0 mA
Rated short circuit current	100 A
Output resistance Ra	2.0k + D + LED
Load capacitance max. (at Ue)	1 µF

**Mechanical data**

Connection type	Connector
Connector type	M12x1-S04
Housing material	CuZn
Oberflächenschutz	Nickel-plated
Sensing surface material	PBT
Mounting length	29,5 mm
Shock rating	Shock, half-sinus, 30 gn, 11ms
Vibration rating	55 Hz, 1 mm ampl., 3x30 min
Degree of contamination	3
Tightening torque	25 Nm / 35 Nm

**Basic data**

Basic standard	IEC 60947-5-2
----------------	---------------

**Remarks**

The sensor is functional again after the overload has been eliminated.  
 Embeddable: See installation notes for inductive sensors with extended switching distance 825357.  
 With connector, e.g. BKS-S 20-... total length = switch length +18 mm.



**BES M18ME-PSC80B-S04G-003**  
**Ordering code: BES00EZ**

Inductive sensor  
Global  
M18x44,5 mm

DC, direct current  
PNP/Normally open (NO)  
Sn= 8 mm  
Flush (shielded)  
■ ■

**BALLUFF**

*sensors worldwide*

